

HDPE Pipes

Drivable plastic pipes in diameters DN 300 up to DN 1000



General

The product is made of HDPE (high density polyethylene). These double walled pipes with smooth inside and helical web on the outside are characterized by properties such as high loading capacity, great elasticity, low weight and insensitiveness to out-side influences.

Field of application

The pipes are used as culvert pipes in road and rail-road construction, sewer and drainage pipe as well as cladding and sleeving pipe.

Installation

HDPE pipes are assigned to the principle of flexible, embedded pipes. The pipes supplied in great single length are connected with sockets or so called coupling bands. With appropriate and professional backfilling these pipes can bear high loads even with low height of fill.

Summary

- ✓ high loading capacity, low weight and easy handling for transport and assembly.
- ✓ great elasticity behaviour
- ✓ insensitive to aggressive water, UV radiation and temperature
- ✓ recycling (100%)

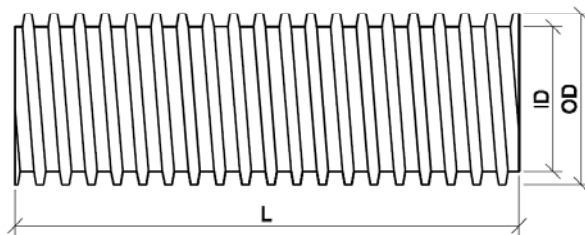


HDPE Pipes

Standard pipes in two different alternatives



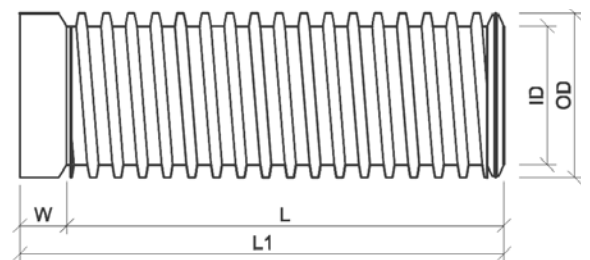
Alternative 1: Standard pipes which will be connected with so called coupling bands.



Innendurchmesser	Außendurchmesser	Stegabstand	Steghöhe
ID	OD	SA	SH
[mm]	[mm]	[mm]	[mm]
300	357	56	29
400	477	74	39
500	593	92	47
600	724	108	62
700	824	108	62
800	970	141	85
900	1070	141	85
1.000	1175	142	91

Alternative 2: Standard pipes which will be joined through a socket connection .

Innendurchmesser	Außendurchmesser	Stegabstand	Steghöhe	
ID	OD	SA	SH	W
[mm]	[mm]	[mm]	[mm]	[mm]
300	357	56	29	115
400	477	74	39	130
500	593	92	47	180
600	724	108	62	210
700	824	108	62	265
800	970	141	85	270
900	1070	141	85	290
1.000	1175	142	91	335



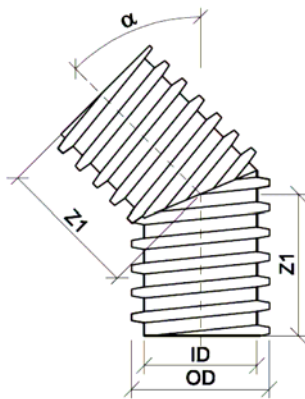
Standard lengths of these pipes are 6m, 7m und 8m. Other lengths are also available.

HDPE Pipes

formed parts: Elbows



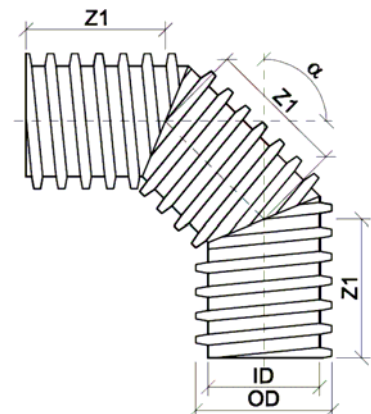
Elbow $\alpha = 30^\circ / 45^\circ / 50^\circ$



ID [mm]	OD [mm]	Z1 [mm]
300	357	500
400	477	500
500	593	500
600	724	750
700	824	750
800	970	750
900	1070	1000
1.000	1175	1000

Elbow $\alpha = 75^\circ / 90^\circ$

ID [mm]	OD [mm]	Z1 [mm]
300	357	500
400	477	500
500	593	500
600	724	750
700	824	750
800	970	750
900	1070	1000
1.000	1175	1000

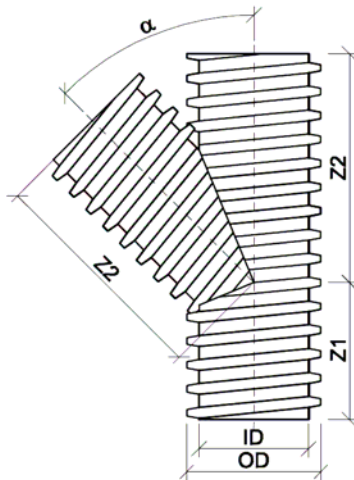


HDPE Pipes

formed parts: T-Pipe



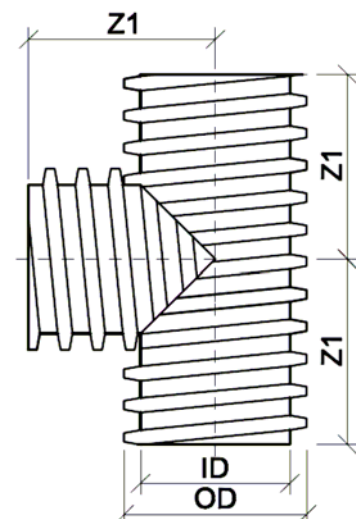
T-Pipe $\alpha = 45^\circ$



ID [mm]	OD [mm]	Z1 [mm]	Z2 [mm]
300	357	500	750
400	477	500	1000
500	593	750	1250
600	724	750	1250
700	824	1000	1500
800	970	1250	1750
900	1070	1250	2000
1.000	1175	1500	2000

T-Pipe $\alpha = 90^\circ$

ID [mm]	OD [mm]	Z1 [mm]
300	357	500
400	477	500
500	593	750
600	724	750
700	824	750
800	970	750
900	1070	1000
1.000	1175	1000

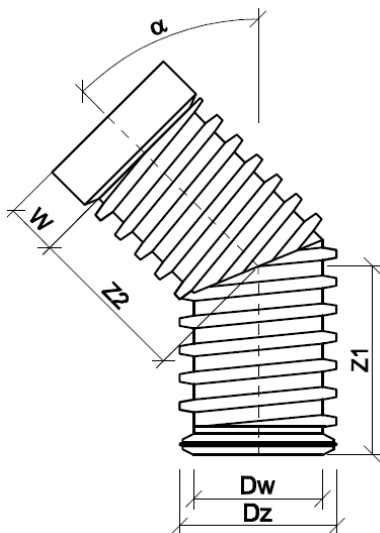


HDPE Pipes

formed parts: Elbows with socket connection



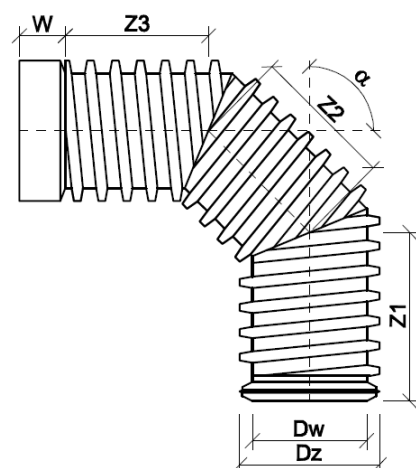
Elbow $\alpha = 30^\circ / 45^\circ / 60^\circ$



DW	DZ	Z1	Z2	W
[mm]	[mm]	[mm]	[mm]	[mm]
300	357	540	500	115
400	477	545	500	130
500	593	585	500	180
600	724	850	750	210
700	824	860	750	265
800	970	860	750	270
900	1070	1110	1000	290
1.000	1175	1120	1000	335

Elbow $\alpha = 75^\circ / 90^\circ$

DW	DZ	Z1	Z2	Z3	W
[mm]	[mm]	[mm]	[mm]	[mm]	[mm]
300	357	540	500	500	115
400	477	545	500	500	130
500	593	580	500	500	180
600	724	850	750	750	210
700	824	860	750	750	265
800	970	860	750	750	270
900	1070	1110	1000	1000	290
1.000	1175	1120	1000	1000	335

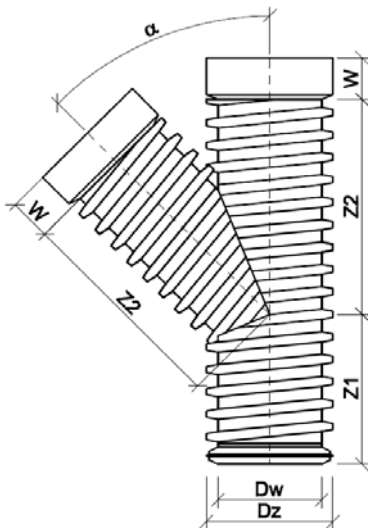


HDPE Pipes

Formed parts: T-Pipe with socket connection



T-Pipe $\alpha = 45^\circ$



DW [mm]	DZ [mm]	Z1 [mm]	Z2 [mm]	W [mm]
300	357	540	750	115
400	477	545	1000	130
500	593	835	1250	180
600	724	850	1250	210
700	824	1110	1500	265
800	970	1360	1750	270
900	1070	1360	2000	290
1.000	1175	1620	2000	335

T-Pipe $\alpha = 45^\circ$

DW [mm]	DZ [mm]	Z1 [mm]	Z2 [mm]	W [mm]
300	357	540	500	115
400	477	545	500	130
500	593	585	750	180
600	724	850	750	210
700	824	860	750	265
800	970	860	750	270
900	1070	1110	1000	290
1.000	1175	1120	1000	335

